

# TSG 250

## Fingerprint Identification Reader Operation & Installation Manual v1.0



# TABLE OF CONTENTS

## SECTION 1 – TSG-250 Installation Manual

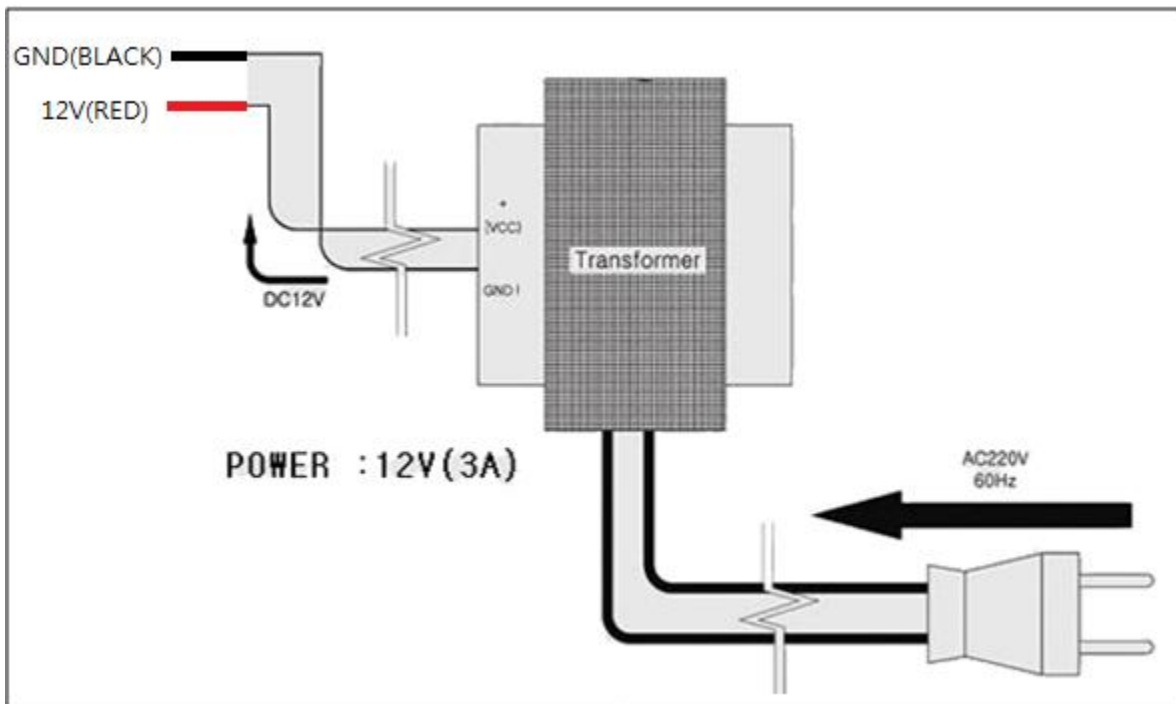
1.	Power.....	4
2.	LAN Communication.....	4
4.	Door Sensor/EXIT Button Connection.....	5
5.	Lock Connection.....	6

## SECTION 2 – TSG-250 Operation Manual

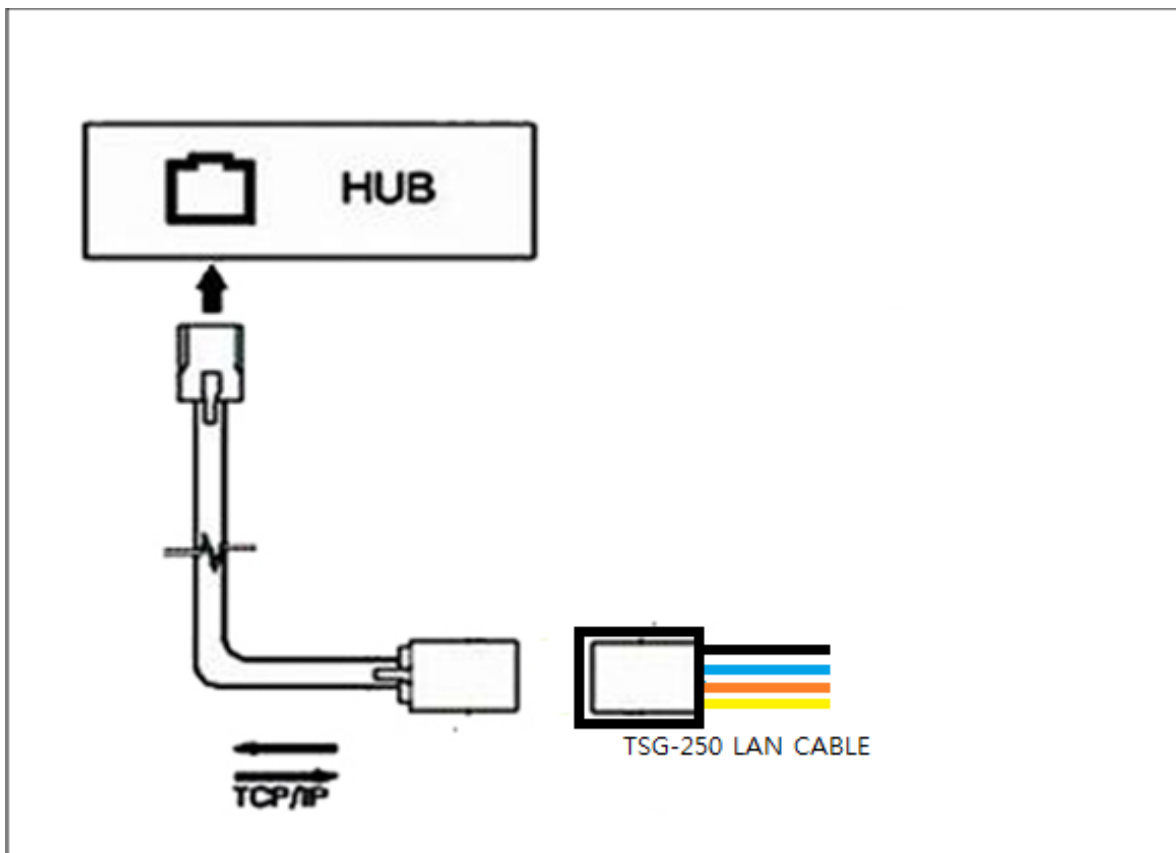
1.	Product Specificatio for TSG-250.....	7
2.	Terminal ID and Network Setting.....	7
3.	User Registration.....	9
4.	User Delete.....	9
5.	Temporary User ID Registration.....	10
6.	Basic Setup.....	10
7.	Advanced Setting.....	11
9.	Event[Log] Settings.....	14

- 10. Access Setting .....14
- 11. Memory Card(USB Disk) .....15
- 12. System Information.....16
- 13. Test.....16

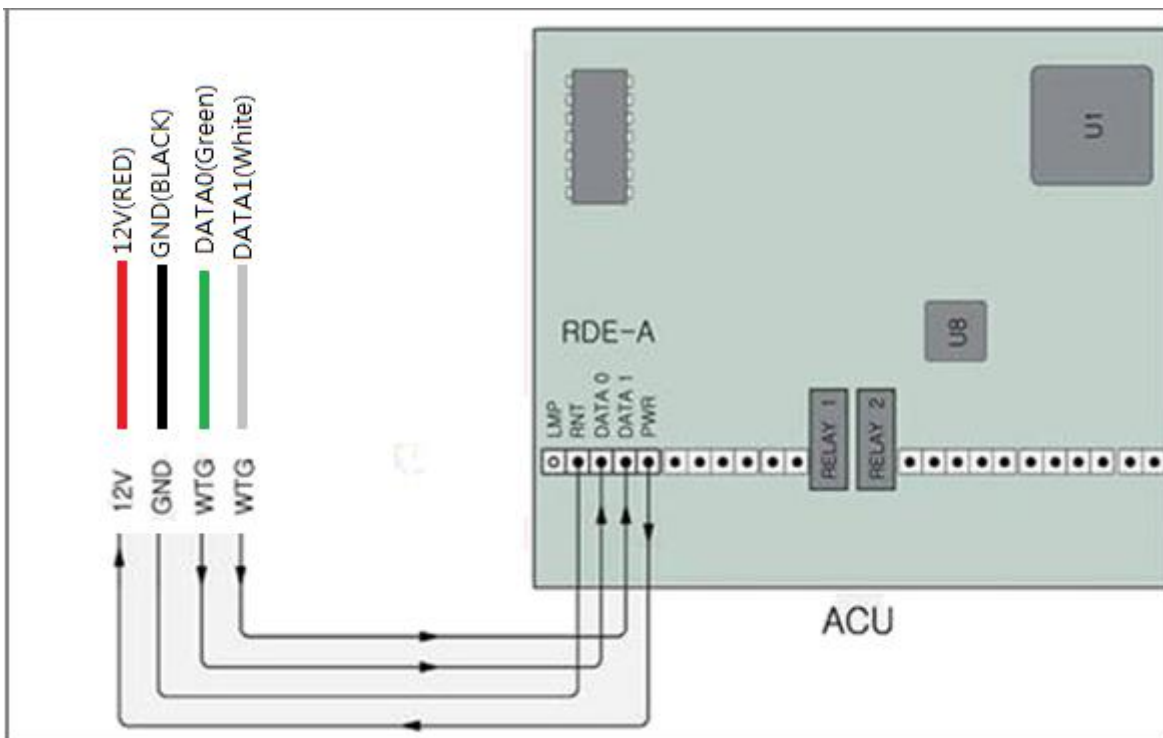
1. Power



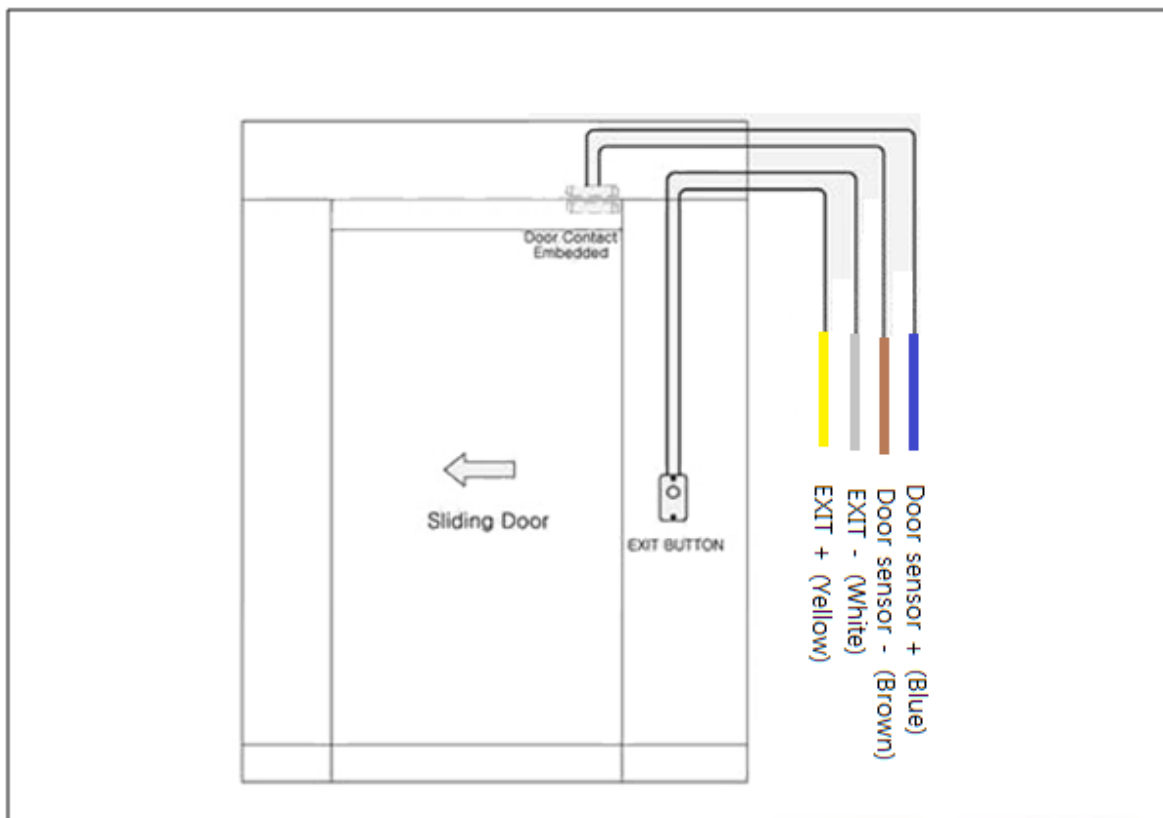
2. LAN Communication



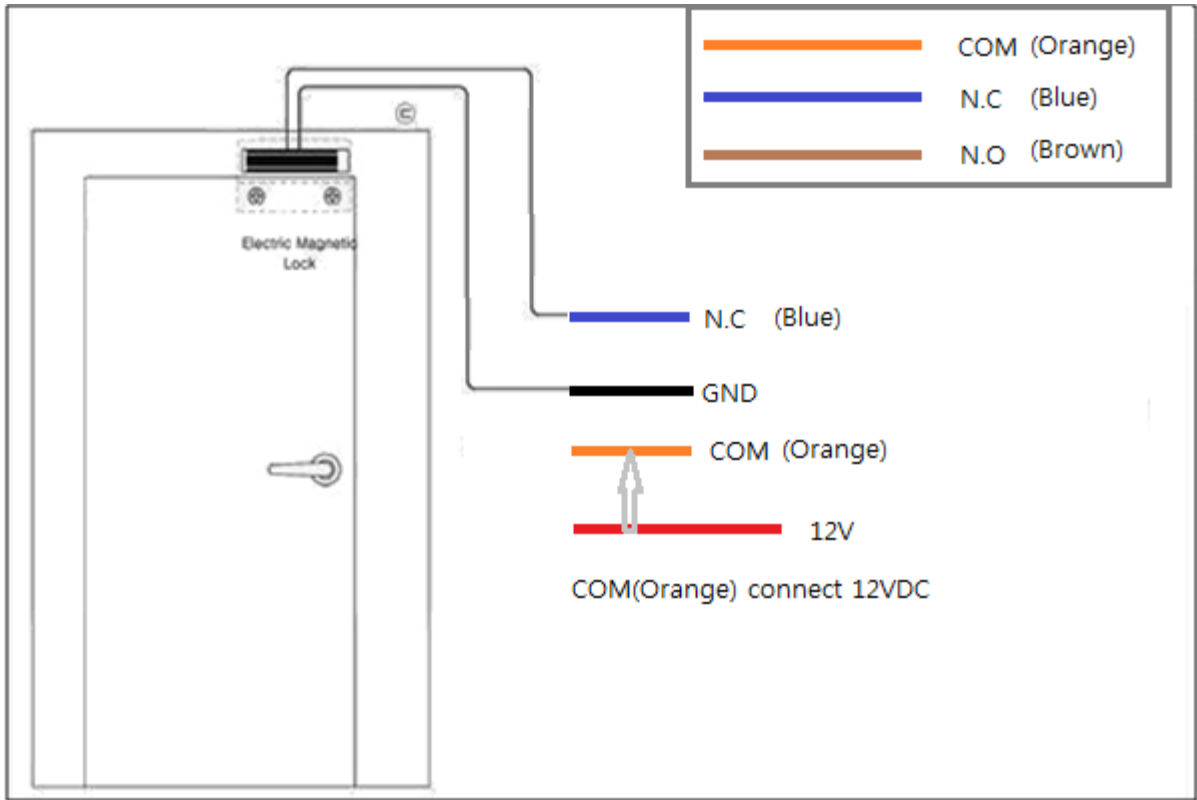
3. ACU Connetion



4. Door Sensor/EXIT Button Connection

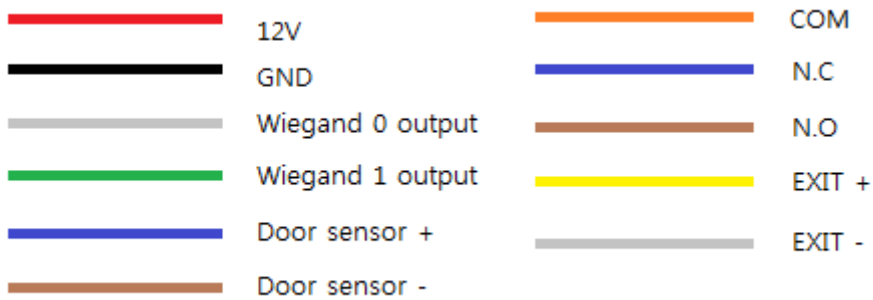


5. Lock Connection



- TSG-250 has two bunch of cable.

- Power/Wiegand output/Door Sensor
- Lock/Exit button



## 1. Product Specificatioio for TSG-250

Feature	TSG-250
User Capacity	1,000
1:N 1,000 Speed	< 1 Sec
Event Log	100,000
LCD	1.8 Inch TFT
Camera	No
USB Memory	Yes
POE	NO
Communication	TCP/IP
Spoof Detection	Yes
VoIP	NO
P2P	Yes
Card	EM, Mifare, HID Prox or iClass
FAR/FRR	0.0001% / 0.01%
Size (W * H * D)	70 * 185 * 40 Cm

## 2. Terminal ID and Network Setting

Terminal should have a unique ID in order to communicate with PC.

**[Note]** If the ID is duplicated, there should be a communication error.

From the main menu, click \* button. Input admin ID, "1 2 3 4"and then press # button.



Press F2 button and choose [settings] and press # button and choose [Comm settings] and press # button.



Choose [Device ID] and press # button and input unique ID Number.

Press \* button and exit menu.

Press F2 button and choose [TCP/IP Settings] and press # button

In the communication setting, Using F2 button, go to TCP/IP Settings where IP address should be changed. Subnet mask/Gateway address/Port number should be done in the same way.



### 3. User Registration

Input Admin ID number, 1 2 3 4 and press # button. Choose [User] to register a user and Press # button.



Choose [Register] amnd press # button

There will be a pop up window related to user's registration information. Input user ID. Name should be registered on software Privilege can be chosen by user or administrator and click # button.

Register a first finger in three times. If want to register second finger, do the same way as the first finger.

.Press the # button. Once all registration process is completed, press \* button until the main menu comes back.

### 4. User Delete



Input Admin ID number, 1 2 3 4 and press # button and Choose [User] to register a user. Move to [Delete] icon to delete a user. Fingerprint/card data can be deleted and user can also be deleted.

### 5. Temporary User ID Registration



Temporary ID registration for visitors Input temporary ID and the number of times and then press # button. The Temporary ID will be counted as use and it will be deleted after the count is finished automatically.

### 6. Basic Setup



From the main menu, choose [Basic] press # button.  
On this menu,

Use F1 and F2 button to scroll the menu and setup Time/Date/Language/Volume/Wallpaper. Press the # button. Once all registration process is completed, press \* button until the main menu comes back.

## 7. Advanced Setting

From the main menu, choose [Advanced] press # button.



- Verification Mode : Operation mode can be chosen by administrator.

- [OPEN] : Always Door Open
- [Close] : Always Door Closed
- [Finger] : Fingerprint only – no access with ID or Card
- [CD] : Card only – no access with ID or fingerprint
- [ID or FP] : ID or Fingerprint Only – no access with Card
- [ID or CD] : ID or Card Only – no access with fingerprint
- [CD or FP]: Card or Fingerprint Only – no access with ID
- [Any Mode]: Any Form of Authorization - access granted with any form of authorization
- [ID and FP]: Both ID and Fingerprint Required for Access – must punch in ID before fingerprint authentication

- [ID and CD]: Both ID and Card Required for Access – must punch in ID before Card authentication
  - [CD and FP]: Both Card and Fingerprint Required for Access – card must be authorized before fingerprint authentication
  - [ID&FP] or [CD&FP] : both ID and Fingerprint or both Card and Fingerprint are required for Access
  - [ID&FP] or [CD] : both ID and Fingerprint or just Card are required for Access
  - [ID&FP] or [ID&CD] : both ID and Fingerprint or both ID and Card are required for Access
  - [ID & CD & FP]: all three forms needed for access
- 
- ID Mask : ID index security will not show a user's ID on the screen.
  - User Tamper Alarm : Case open alarm will make a alarm when detach from the bracket.
  - Calibrate Sensor : Sensor brightness adjustment will adjust the sensor's brightness.
  - Use Touch Sensor : Touch sensor use is related to the sensor's "On and Off"
  - Upgrade Firmware : Firmware update can be used by SD memory card.
  - Restore Factory Settings : Initial setting is a factory setting.
  - Clear Gneral Log/Management Log/ Enroll Data : Access event/management event/all registration can be deleted.

## **8. Schedule**

From the main menu, choose [Schudule] press # button.

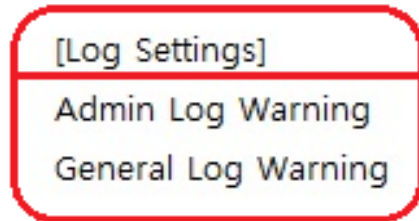


- Set Tmode : PC operation time zone can be checked by PC program. Operation for Fingerprint/Card/Password will be setup by time zone.
- Ring Settings : In this function, a bell is rung at set times automatically. This is used for school classroom bells or alarms. Bell time zone can be checked by PC program.
- Auto Door : In this menu times are recorded when an automatic door setup at the program is activated. Auto Door time zone can be checked by PC program.
- Auto Funckey : This function automatically saves the function key to the event without pressing any function keys only within a set time zone. Auto Funckey time zone can be checked by PC program.
- None-Relay Funckey : This function saves the function key to the event without open door within a set timzone.
- Day Light : This function is used to change or recover the time at a certain period in the device(Ex-Summer Time)
- Holiday : In this menu times are recorded when a holiday setup at the program is activated.
- Funckey Alarm : This function is connected a alarm system. An alarm signal is activated when there is a relay or buzzer.
- CD2 auto Funckey : If a device is connected to a reader, this function gives a function key to the external reader automatically, thus an automatically setup function key is given to a user who is authorized from an external reader.

- Idle Settings : This function have 2 tpye idle mode. First LCD Power off after and Sleep after. If a device set 3min, after 3min a device can be LCD power off or Device sleep.

### 9. Event[Log] Settings

From the main menu, choose [Log Settings] press # button.



Without PC program, before overwrite the events when reach to full events it will be warning you in advance. If you set it up 1000 events, since its maximum size is 100K events, It will be warning you when reach to 99,000 events.

### 10. Access Setting

From the main menu, choose [AC Settings] press # button.



- FP Reader Setting : It is related for a TSG-150 reader to send the FP templates only.
- Define Timezone : The contents can be checked by PC program.
- Lock type : It show that the lock type is NC(Normal Close) or NO(Normal Open) type.
- Door Release Time: It is a door open time duration.
- Reaccess Count : This function was created to decrease the troublesome situations of using a card again after a fingerprint is read as an error when a fingerprint scan is required after a card scan.
- Reaccess Limit time : In this menu authorization is given once every set times
- Wiegand Format : It is to set the BIT numbers for the wiegnad output.
- Anti-pass back : When a device is located at an entrance and exit, a user must have permission to exit. (Ex. Parking lot management, office security etc)

### **11. Memory Card(USB Disk)**

Input Admin ID number, 1 2 3 4 and press # button and from the basic setup menu, Choose [USB Disk] and press # button.



By using USB Pen Drive, save user's information/ events data and upload to a different device.

Once download from No 1 terminal and upload to No 2 terminal, the terminal's user information (fingerprint/card) can be transferred to a different terminal.

### 12. System Information

Input Admin ID number, 1 2 3 4 and press # button and from the basic setup menu, Choose [Sys Info] and press # button.



Once check out the No 1 memory information, current terminal will show the user storage and event numbers. For the No 2, device information, it shows the Product of production date, serial number, etc. No 3, Advanced, it shows shows user search and check the events.

### 13. Test

Input Admin ID number, 1 2 3 4 and press # button and from the basic setup menu, Choose [Self-Test] and press # button.



It is a self-test for the device. It can test either full details or subsection.





---

*Unit 108 University Industry Academic Cooperation Foundation Bldg., A-Ju University  
San 5 Woncheon-Dong Yeongtong-Gu Suwan City Gyeonggi-Do, S. Korea  
Tel: +82 70 8630 3015 / Fax: +82 31 219 2204 / E-mail: hiyeon@trustone.co.kr*